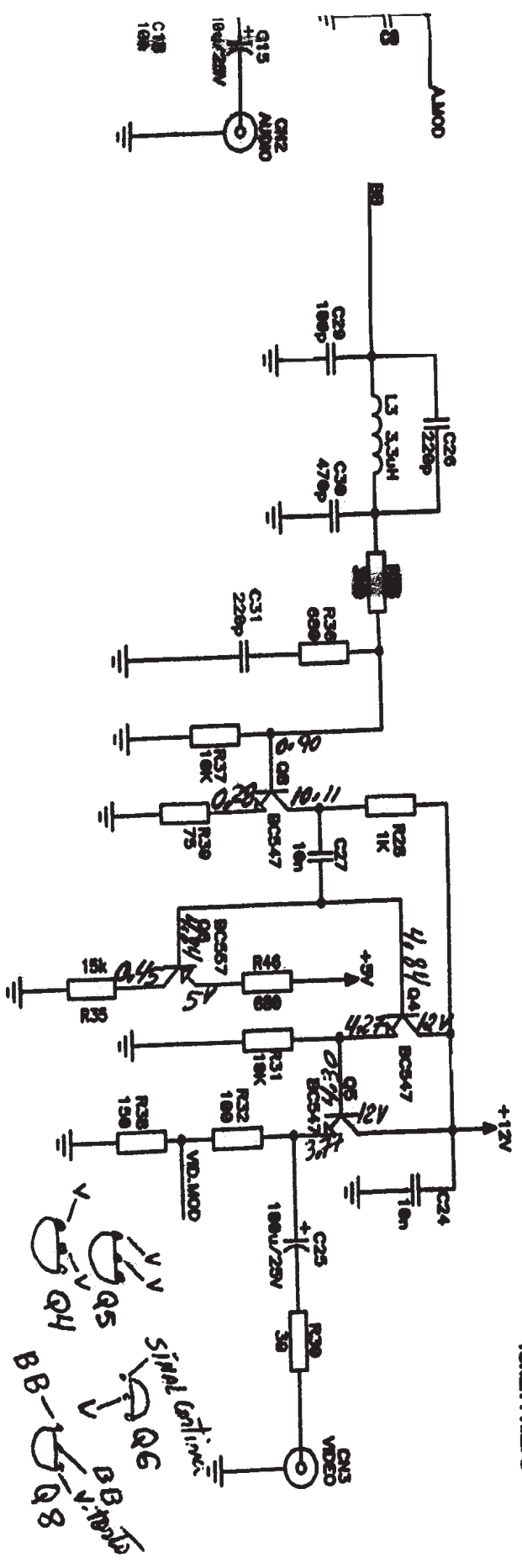
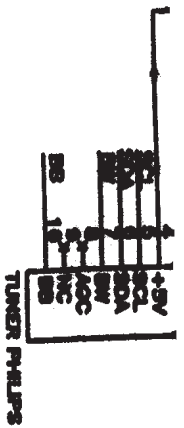


BR



Handwritten notes on the schematic:

- 4.84uA
- 10.11
- 10n
- 4.7uF
- 100n
- 50
- VIDEO
- BB
- Signal Continues
- BB-V
- Q4
- Q5
- Q6
- Q8

